

Linear Position Transducer



FEATURES

- Anodized aluminium case
- Brushes for both collector and resistive tracks in noble metal
- Controlled by natural spring of the material
- Conductive plastic track on polymer base
- **Electrical connection:**
 - KTF & KTC: 4-pole connector to DIN 43650 ISO 4400
 - KTC's control rod in stainless steel, KTF is rodless type
 - Mounting by means of fixing brackets with adjustable spacing
 - Infinite resolution
 - Life time: > 25x10⁶ meters
 - Travelled or > 100 x 10⁶
 - Repeatability: within 0.013mm

APPLICATION

- Injection molding machines
- Woodworking machines
- Hydraulic machines
- Printing presses
- Front-end loaders
- Scales

DESCRIPTION

Potentiometric transducer with conductive track suitable for the measurement, monitoring and control of mechanical strokes.

Critical in providing a smooth DC output, mechanically dependent on the stable glide of the shaft and wiper on the element's surface.

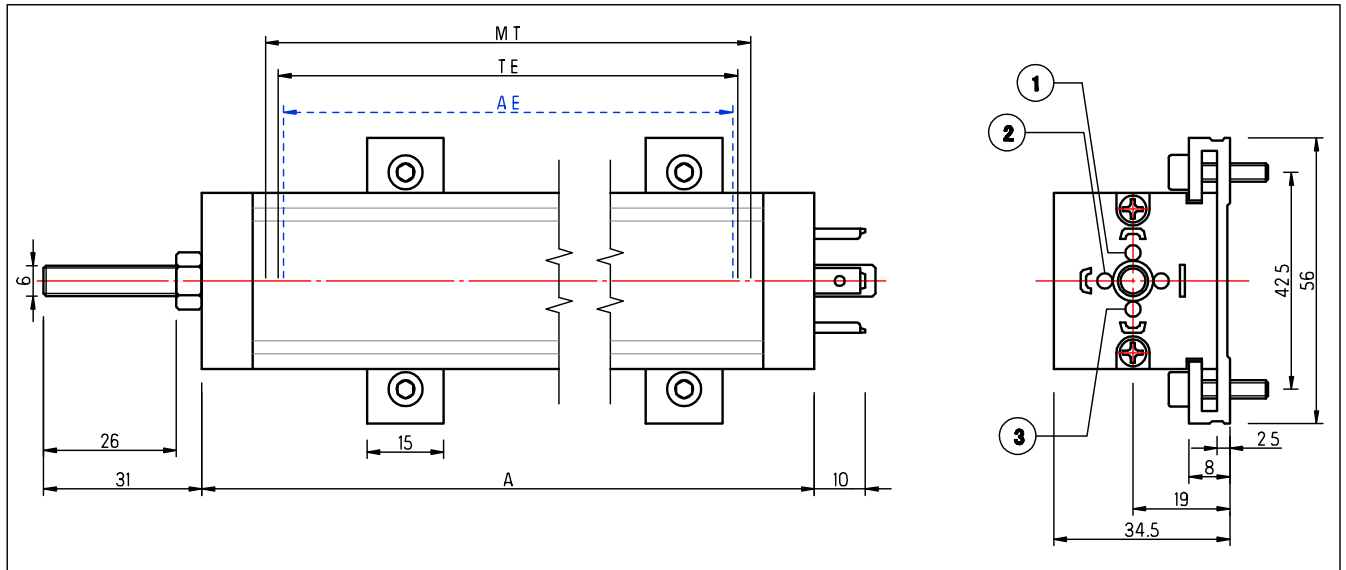
Application includes industrial controls, robotics, process systems or replacement of a linear voltage differential transformer (LVDT).

Model No.	KTC	—	75	100	150	175	200	225	250	300	350	375	400	450	500	525	600	650	700	750	800	850	900	1000	1250	
Total Electrical Travel (T.E)	mm		76	102	152	180	205	229	255	305	355	381	405	457	505	533	610	655	705	762	805	855	914	1016	1266	
Active Electrical Travel (A.E)	mm		75	100	150	177	203	226	253	302	353	378	403	455	503	531	607	653	703	759	803	853	912	1013	1263	
Resistance +20%	Kohm		2.5	3.4	5.0	5.8	6.8	2.4	2.6	3.2	3.7	4.0	4.3	4.8	5.3	5.6	6.4	6.9	7.5	8.0	8.5	9.1	9.6	10.7	13.3	
Independent Linearity	+ - %		0.07	0.07	0.07	0.07	0.07	0.07	0.07	0.07	0.07	0.07	0.07	0.05	0.05	0.05	0.05	0.05	0.05	0.05	0.05	0.05	0.05	0.05	0.05	
Mechanical Travel (M.T)	mm		79	104	155	181	207	231	258	307	358	384	409	460	508	536	612	658	709	765	809	859	917	1019	1269	
Resolution			Infinite																							
Recommended Cursor Current	u A		< 1																							
Temperature Range	°C		-55+125																							
Dimensions A	mm		139	164	215	240	266	291	317	367	418	444	469	520	571	596	672	723	774	825	875	926	977	1078	1330	

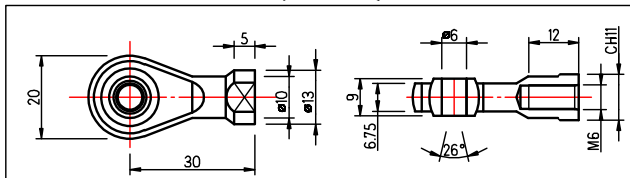
Model No.	KTF	—	75	100	150	175	200	225	250	300	350	375	400	450	500	525	600	650	700	750	800	850	900	1000	1250	
Total Electrical Travel (T.E)	mm		76	102	150	180	205	229	255	305	355	381	405	457	505	533	610	655	705	762	805	855	914	1016	1266	
Active Electrical Travel (A.E)	mm		75	100	150	177	203	226	253	302	353	378	403	455	503	531	607	653	703	759	803	853	912	1013	1263	
Resistance +20%	Kohm		2.5	3.4	5.0	5.8	6.8	2.4	2.6	3.2	3.7	4.0	4.3	4.8	5.3	5.6	6.4	6.9	7.5	8.0	8.5	9.1	9.6	10.7	13.3	
Independent Linearity	+ - %		0.07	0.07	0.07	0.07	0.07	0.07	0.07	0.07	0.07	0.07	0.07	0.05	0.05	0.05	0.05	0.05	0.05	0.05	0.05	0.05	0.05	0.05	0.05	
Mechanical Travel (M.T)	mm		79	104	155	181	207	231	258	384	358	384	409	460	508	536	612	658	709	765	809	859	917	1019	1269	
Resolution			Infinite																							
Recommended Cursor Current	u A		< 1																							
Temperature Range	°C		-55+125																							
Dimensions A	mm		218	245	296	321	347	372	398	448	499	525	550	601	652	677	753	804	855	906	965	1007	1058	1160	1410	

Linear Position Transducer

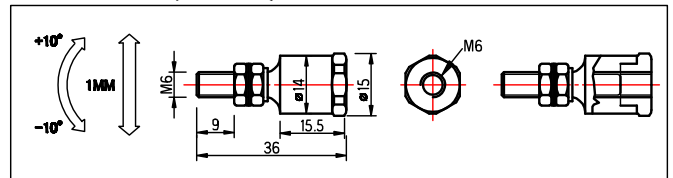
MECHANICAL DIMENSION for KTC-series



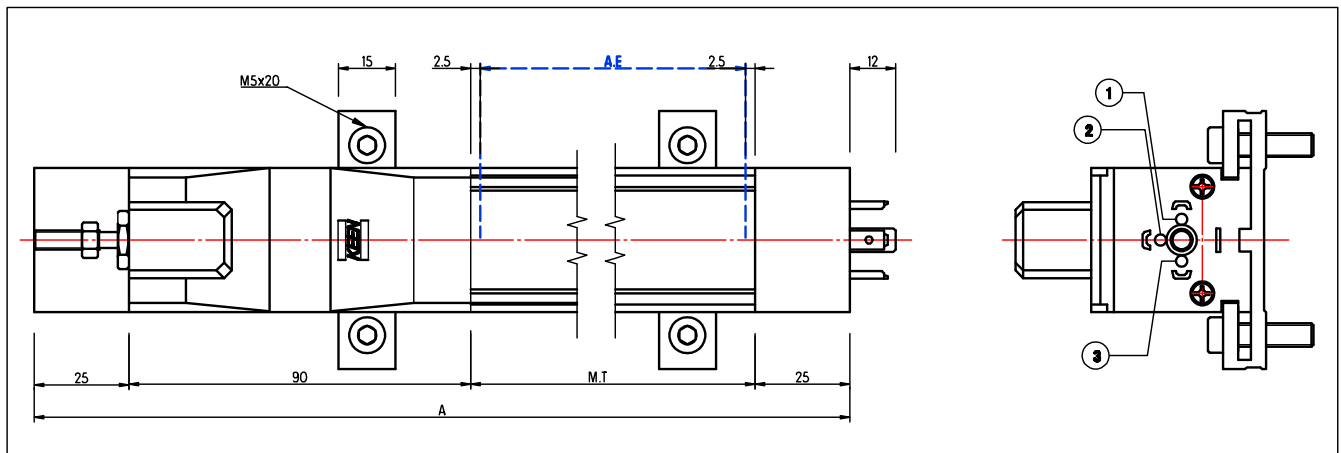
ROD END BEARING (KTC-01)



LINK BALL (KTC-02)



MECHANICAL DIMENSION for KTF-series



COUPLING JOINT

